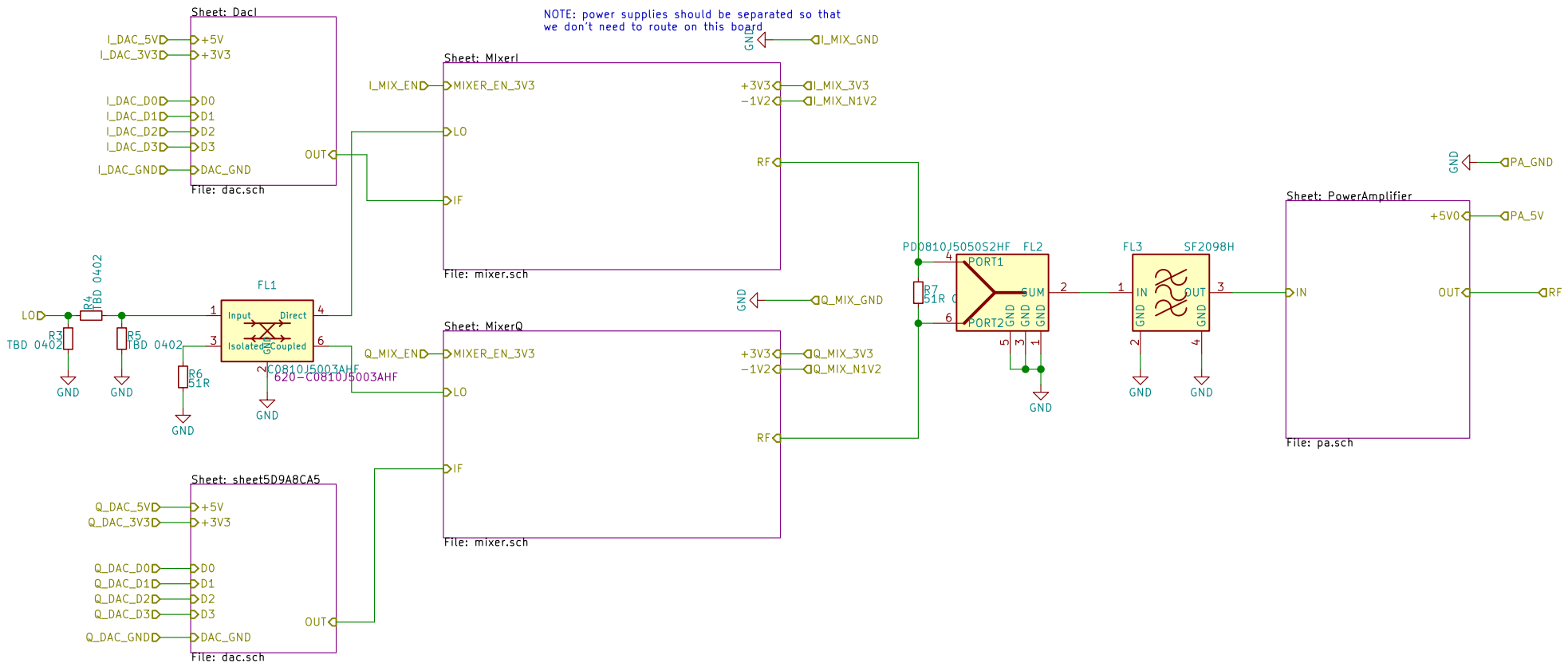
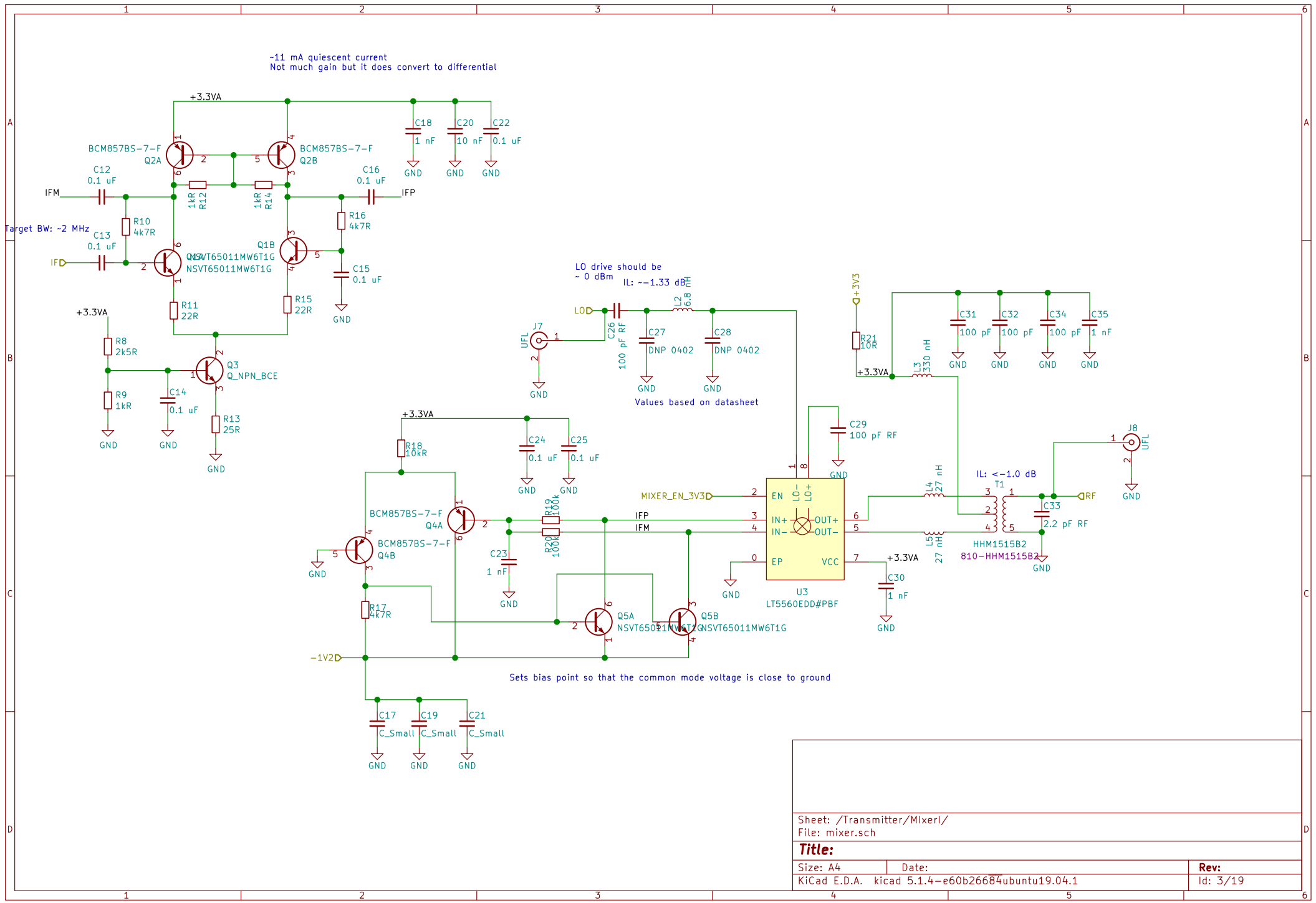


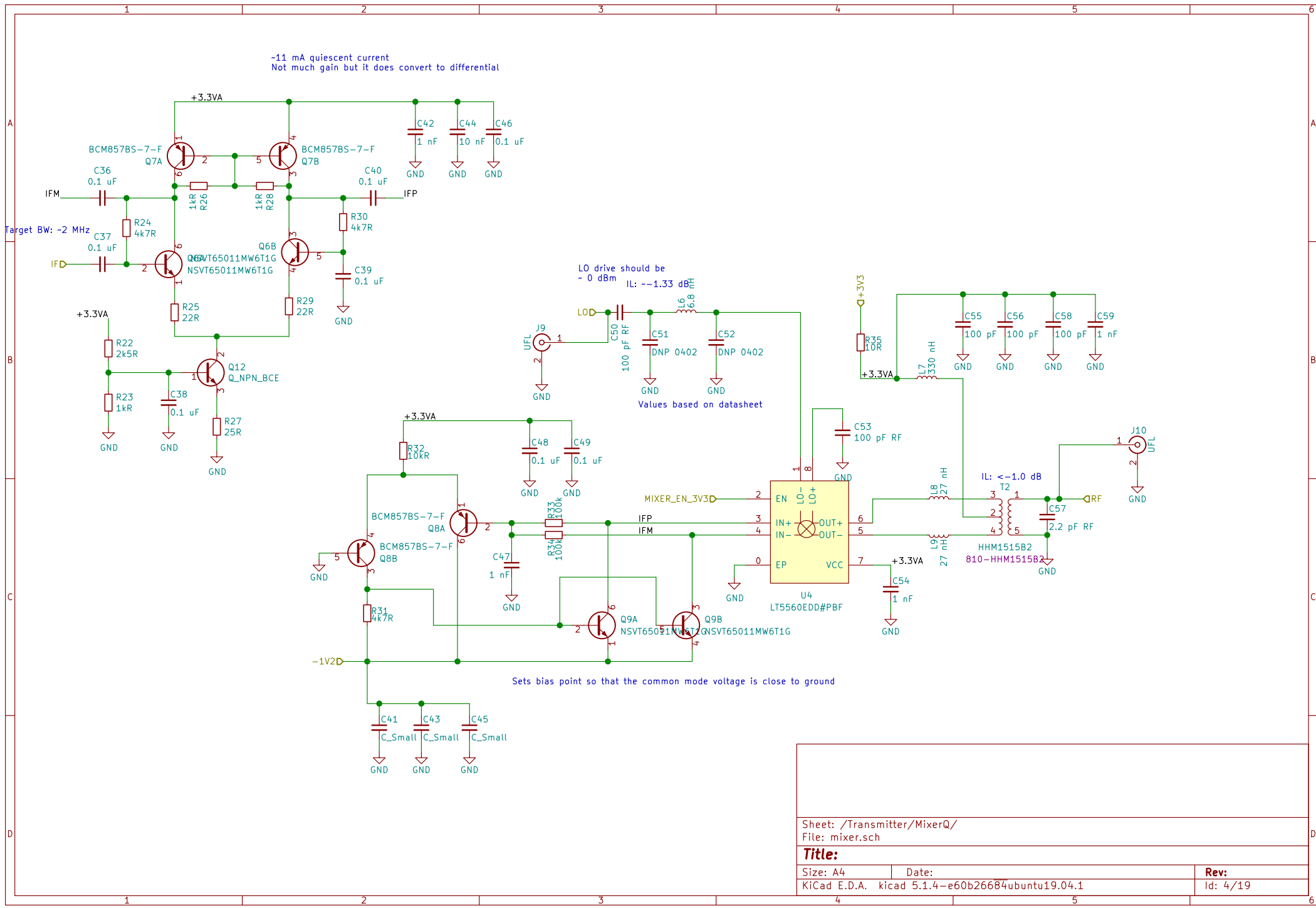
NOTE: power supplies should be separated so that we don't need to route on this board



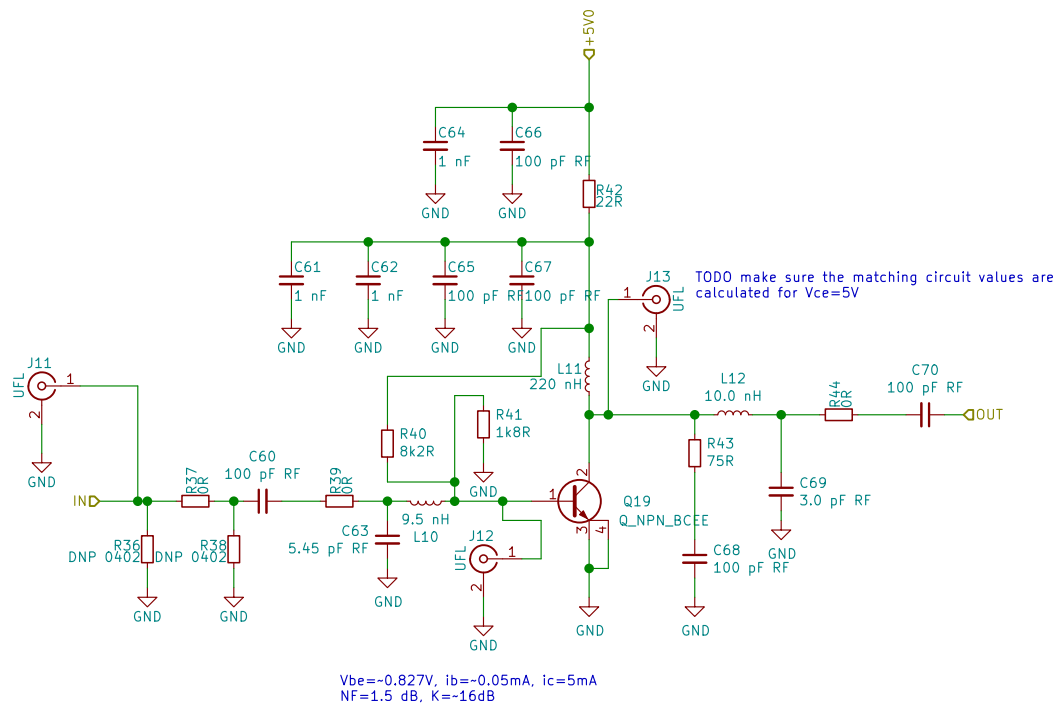
Sheet: /Transmitter/	
File: transmitter.sch	
Title:	
Size: A4	Date:
KiCad E.D.A. kicad 5.1.4-e60b26684ubuntu19.04.1	
Rev: Id: 2/19	



Sheet: /Transmitter/Mixer/	
File: mixer.sch	
Title:	
Size: A4	Date:
KiCad E.D.A. kicad 5.1.4-e60b26684ubuntu19.04.1	Rev: Id: 3/19



Sheet: /Transmitter/MixerQ/	
File: mixer.sch	
Title:	
Size: A4	Date:
KiCad E.D.A. kicad 5.1.4-e60b26684ubuntu19.04.1	Rev:
	Id: 4/19

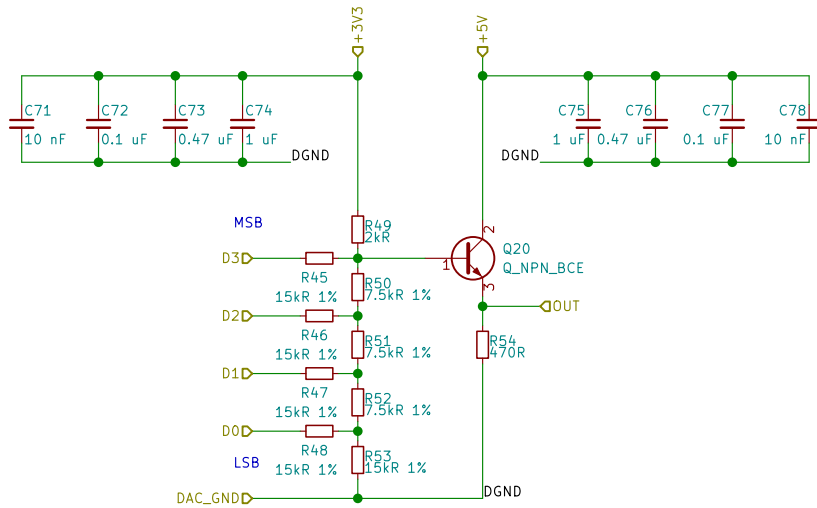


Sheet: /Transmitter/PowerAmplifier/
 File: pa.sch

Title:

Size: A4 Date:
 KiCad E.D.A. kicad 5.1.4-e60b26684ubuntu19.04.1

Rev:
 Id: 5/19

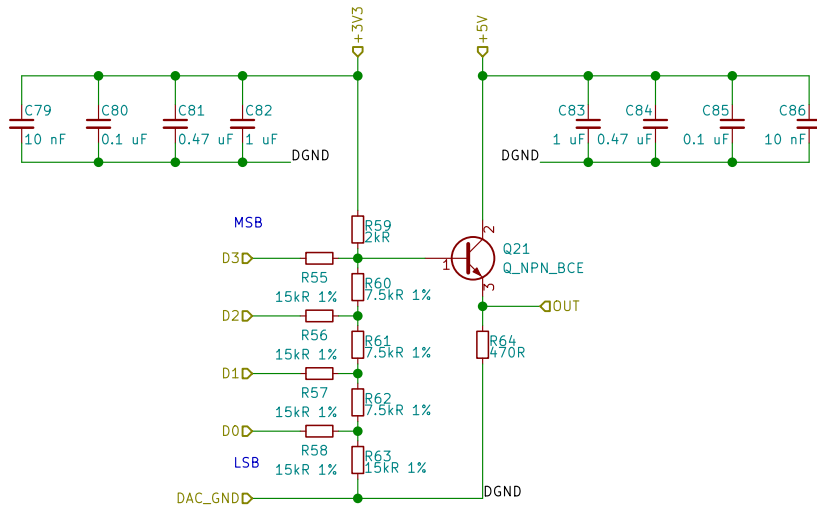


Sheet: /Transmitter/DacI/
 File: dac.sch

Title:

Size: A4 Date:
 KiCad E.D.A. kicad 5.1.4-e60b26684ubuntu19.04.1

Rev:
 Id: 6/19

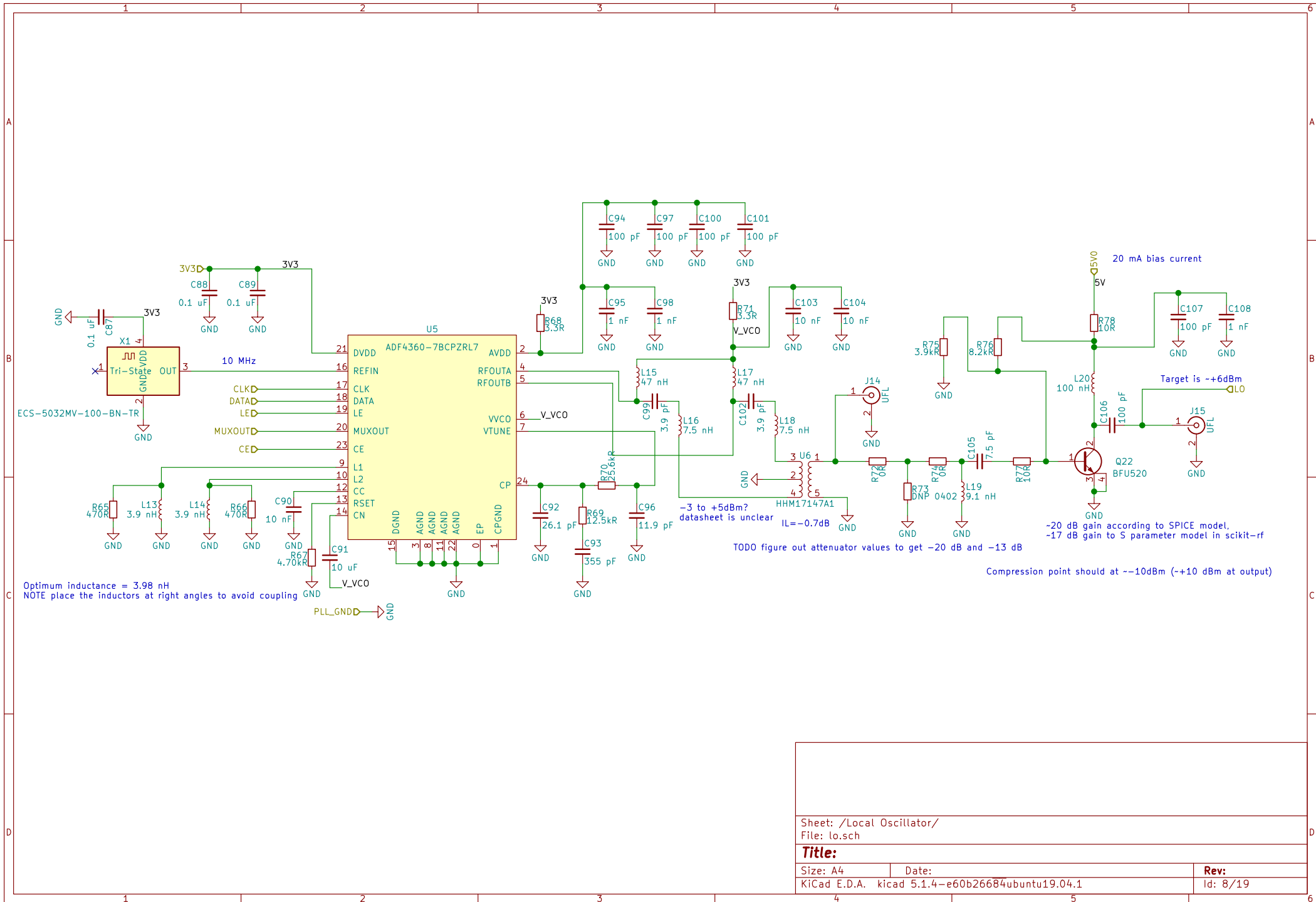


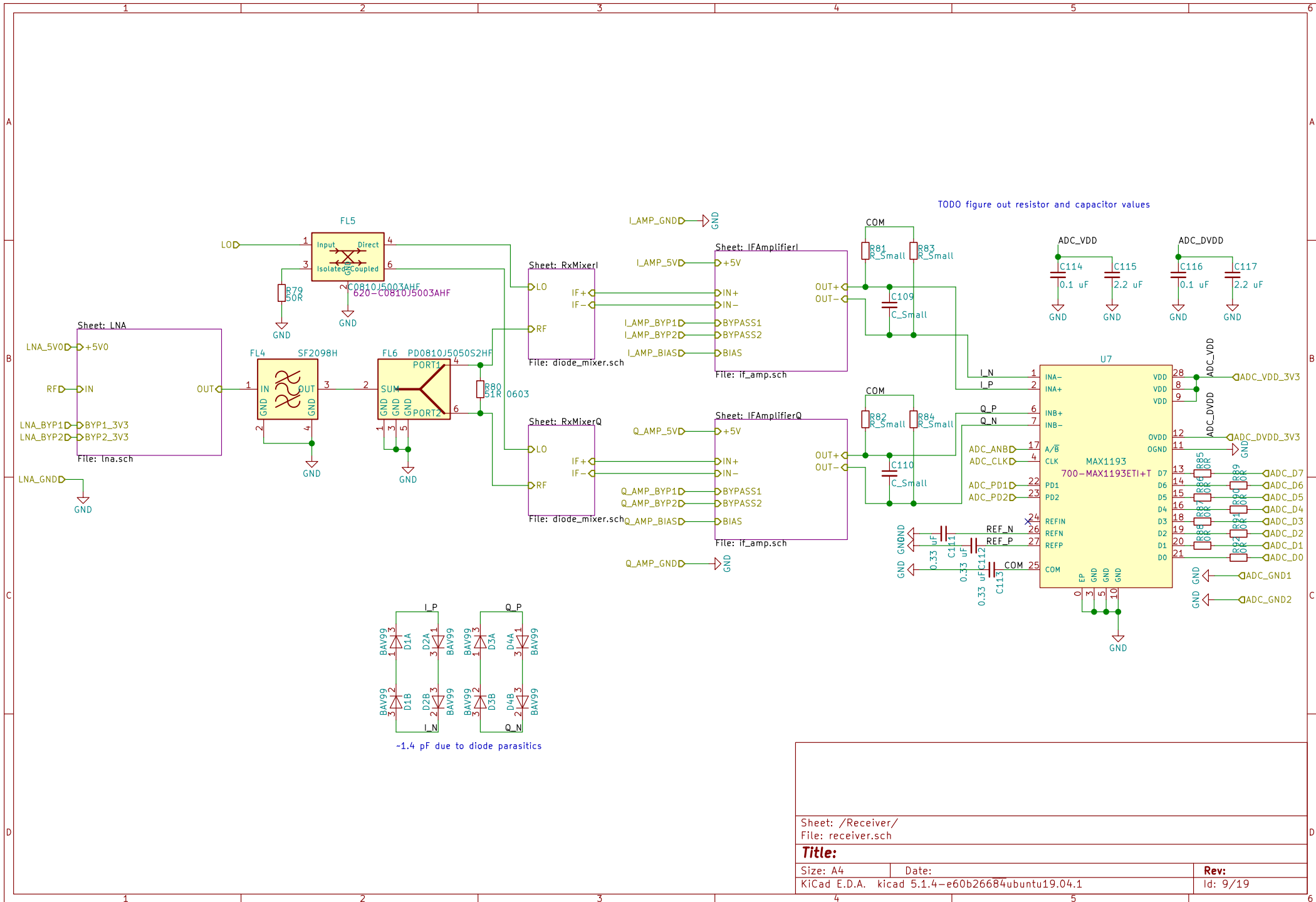
Sheet: /Transmitter/sheet5D9A8CA5/
 File: dac.sch

Title:

Size: A4 Date:
 KiCad E.D.A. kicad 5.1.4-e60b26684ubuntu19.04.1

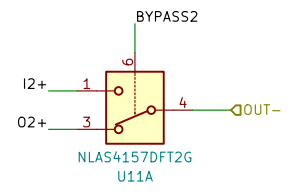
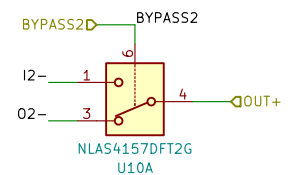
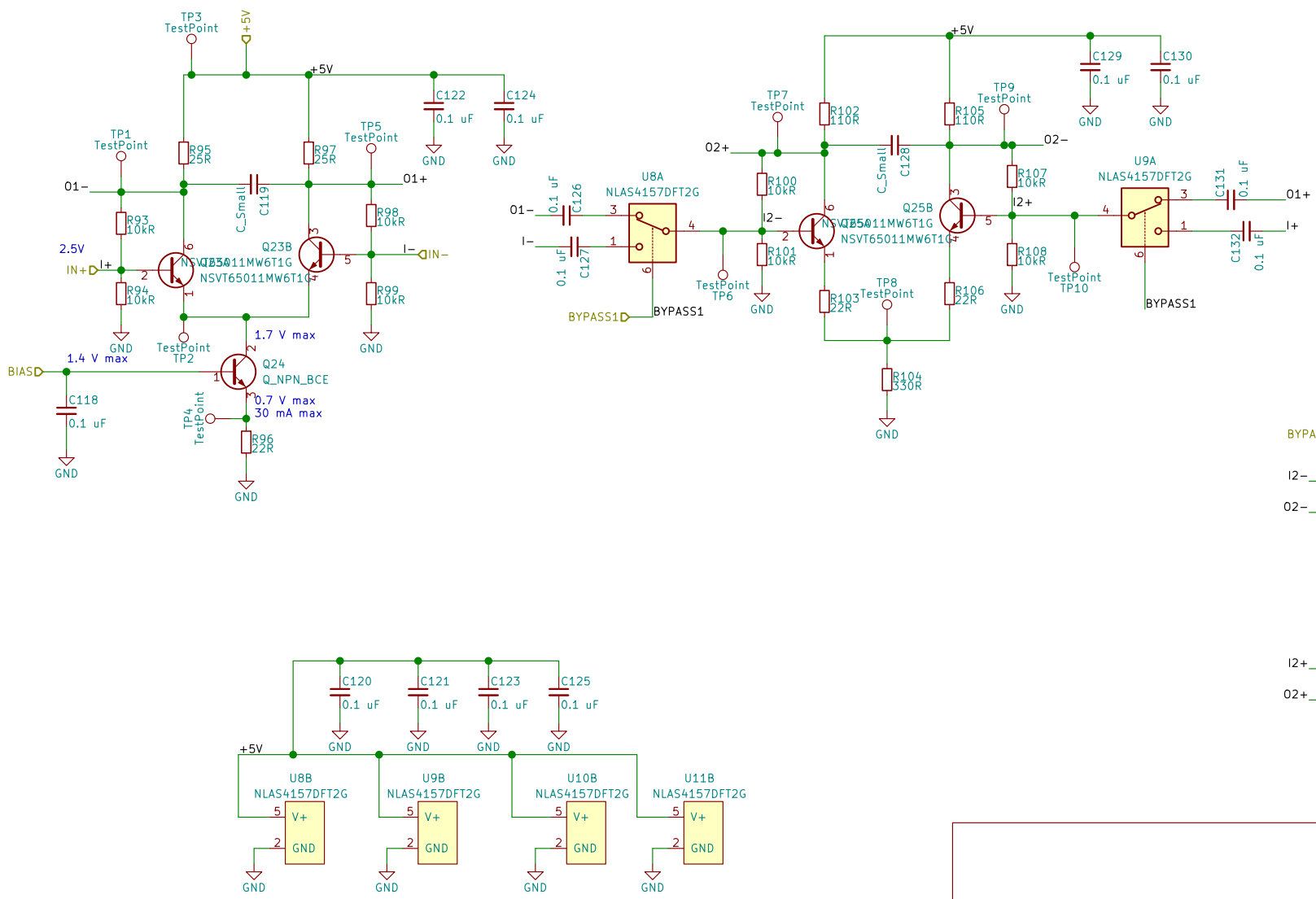
Rev:
 Id: 7/19



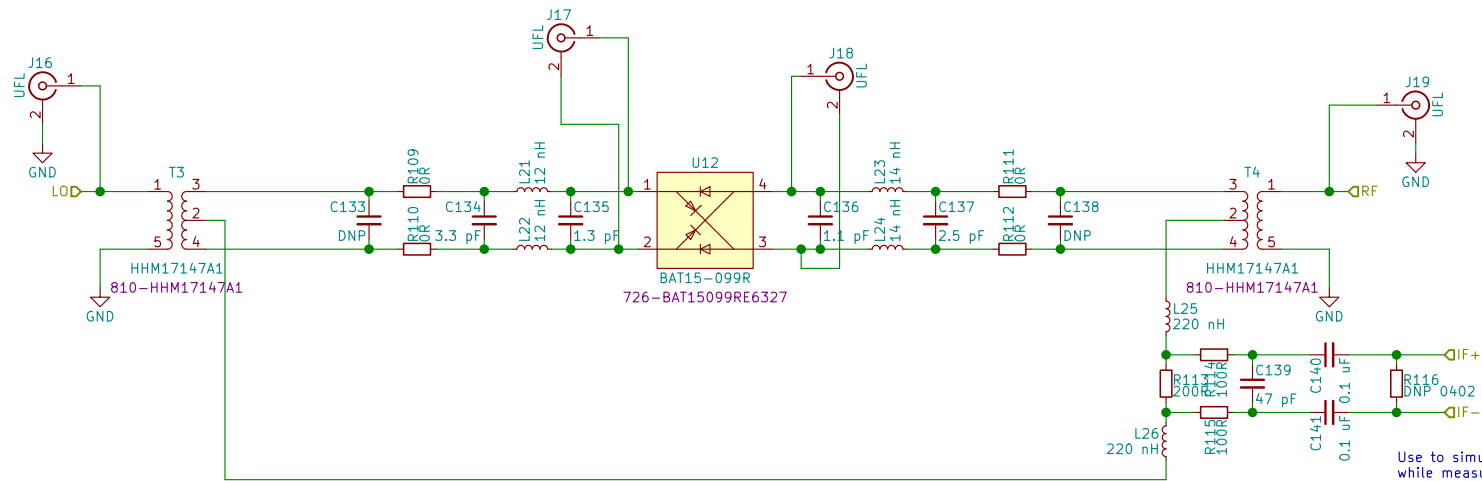


Sheet: /Receiver/ File: receiver.sch	
Title:	
Size: A4	Date:
KiCad E.D.A. kicad 5.1.4-e60b26684ubuntu19.04.1	
Rev:	
Id: 9/19	

TODO figure out shunt cap values



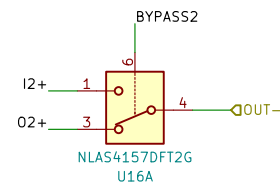
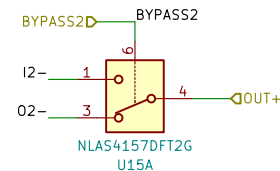
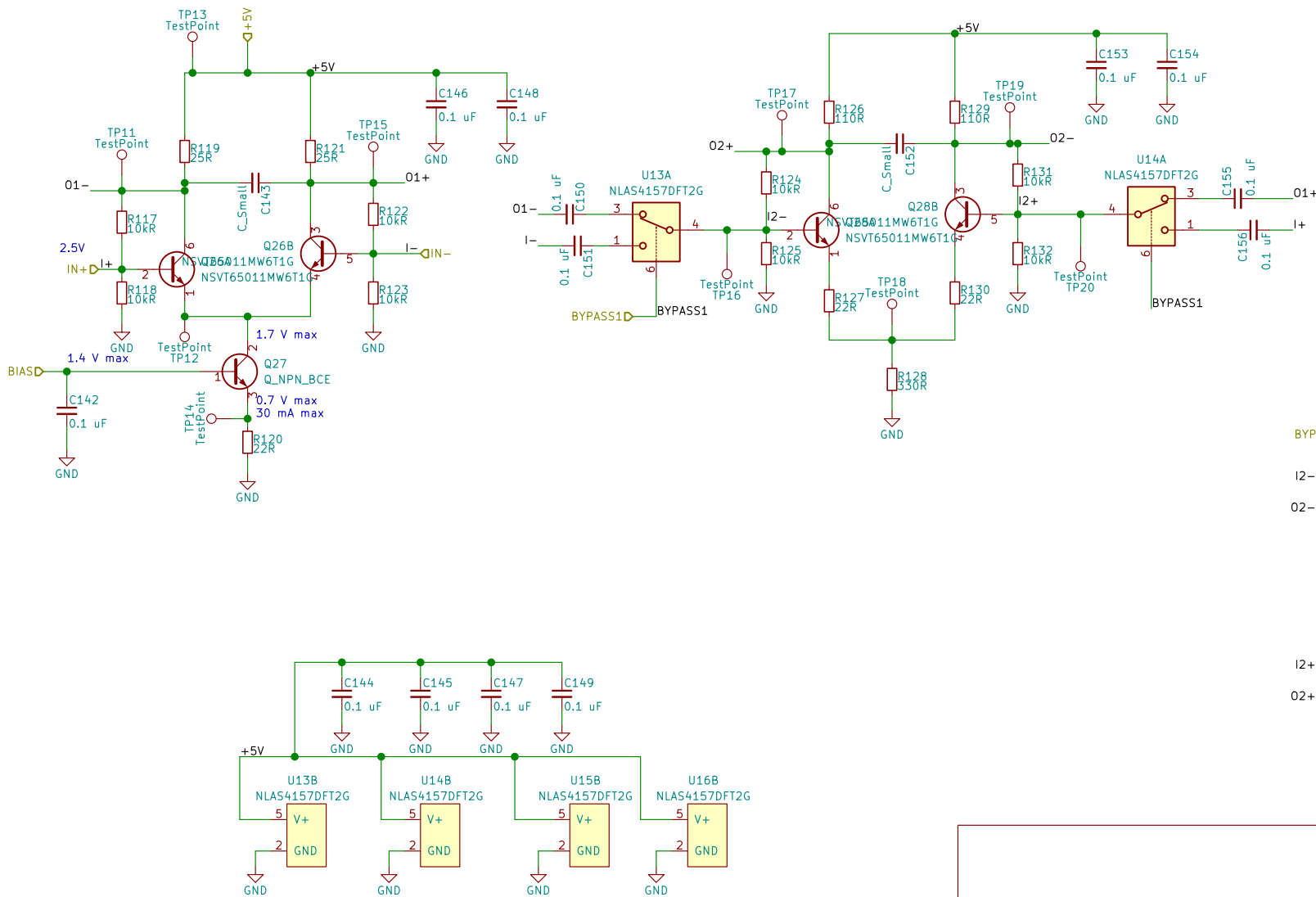
Sheet: /Receiver/IFAmplifier/		File: if_amp.sch	
Title:			
Size: A4	Date:	Rev:	
KiCad E.D.A. kicad 5.1.4-e60b26684ubuntu19.04.1		Id: 10/19	



Use to simulate IF output impedance while measuring parameters for mixer

Sheet: /Receiver/RxMixerQ/		
File: diode_mixer.sch		
Title:		
Size: A4	Date:	Rev:
KiCad E.D.A. kicad 5.1.4-e60b26684ubuntu19.04.1		Id: 11/19

TODO figure out shunt cap values



Sheet: /Receiver/IFAmplifierQ/
File: if_amp.sch

Title:

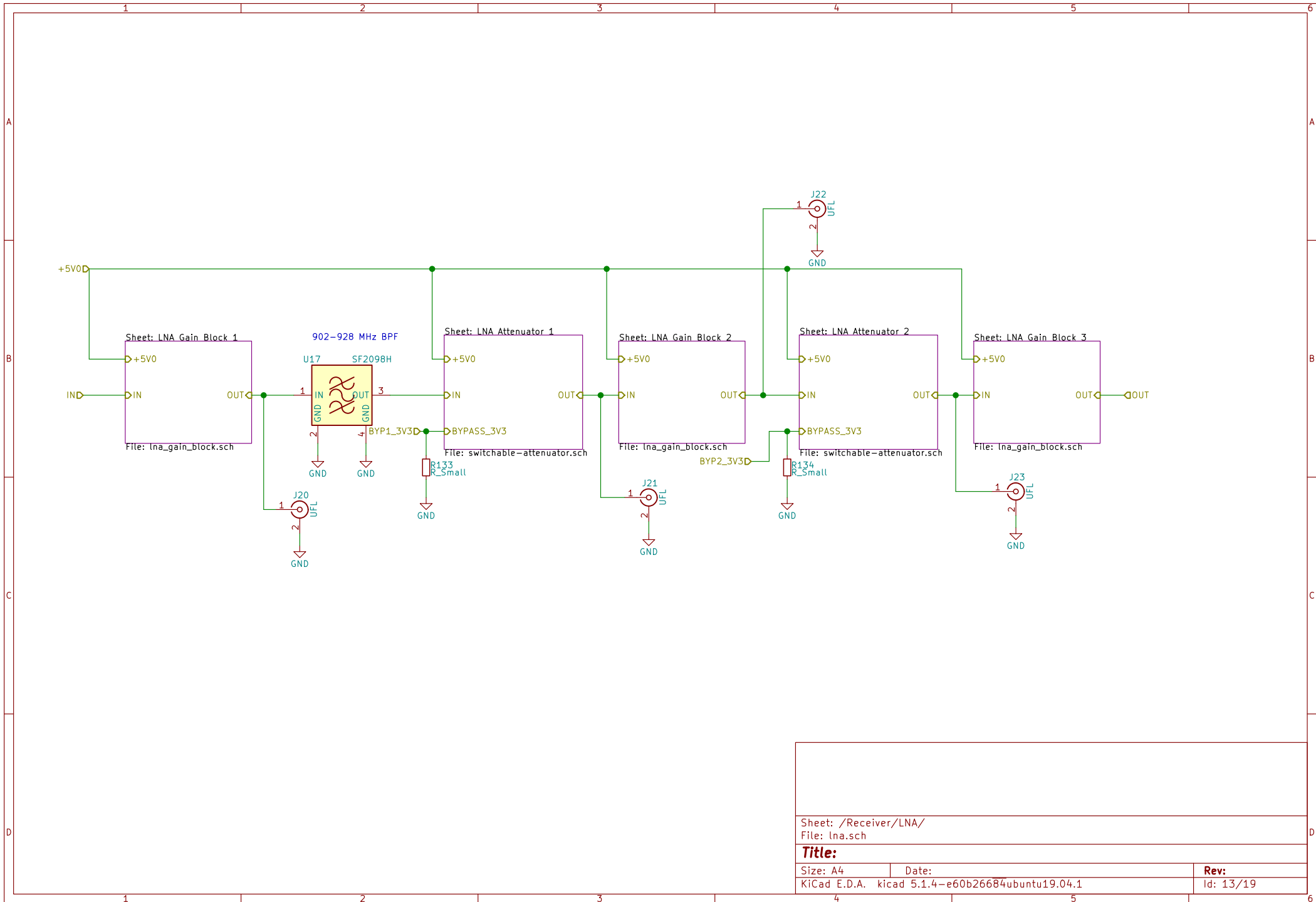
Size: A4

Date:

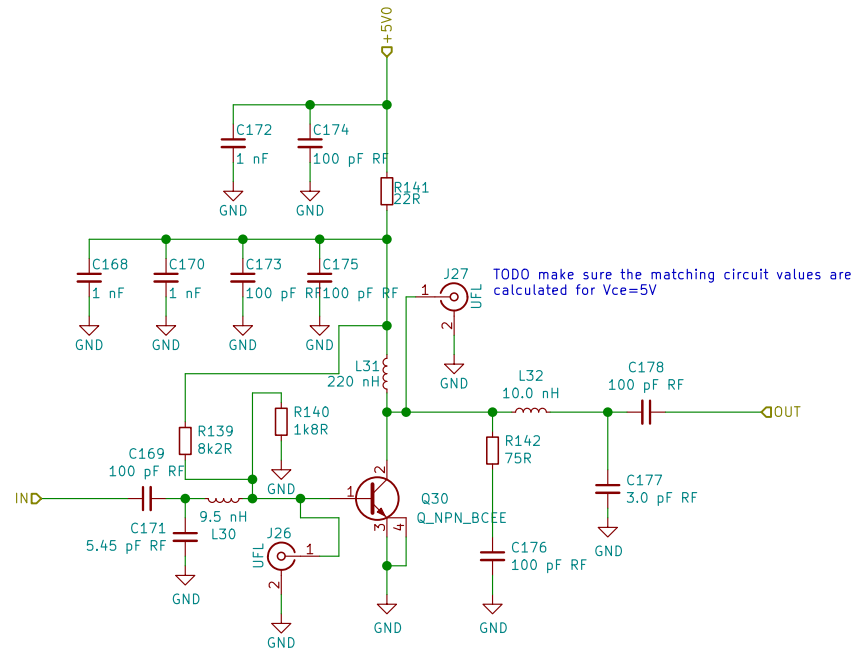
KiCad E.D.A. kicad 5.1.4-e60b26684ubuntu19.04.1

Rev:

Id: 12/19



Sheet: /Receiver/LNA/		
File: lna.sch		
Title:		
Size: A4	Date:	Rev:
KiCad E.D.A. kicad 5.1.4-e60b26684ubuntu19.04.1		Id: 13/19



Vbe=-0.827V, ib=-0.05mA, ic=5mA
 NF=1.5 dB, K=-16dB

Sheet: /Receiver/LNA/LNA Gain Block 3/
 File: lna_gain_block.sch

Title:

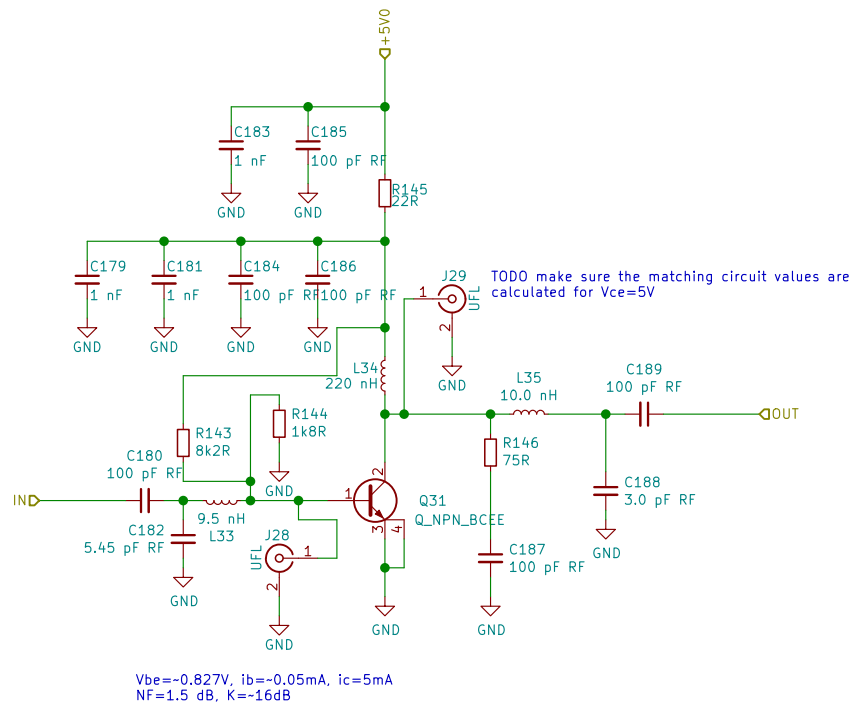
Size: A4

Date:

Rev:

KiCad E.D.A. kicad 5.1.4-e60b26684ubuntu19.04.1

Id: 15/19



Sheet: /Receiver/LNA/LNA Gain Block 1/
 File: lna_gain_block.sch

Title:

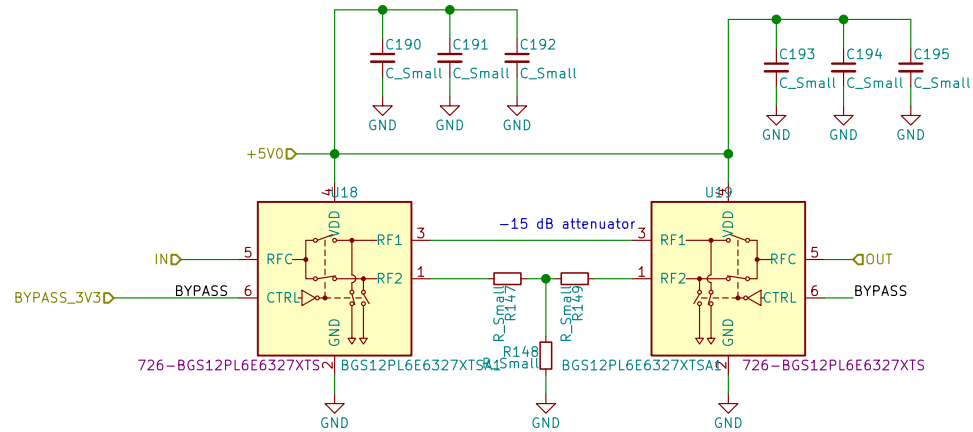
Size: A4

Date:

Rev:

KiCad E.D.A. kicad 5.1.4-e60b26684ubuntu19.04.1

Id: 16/19



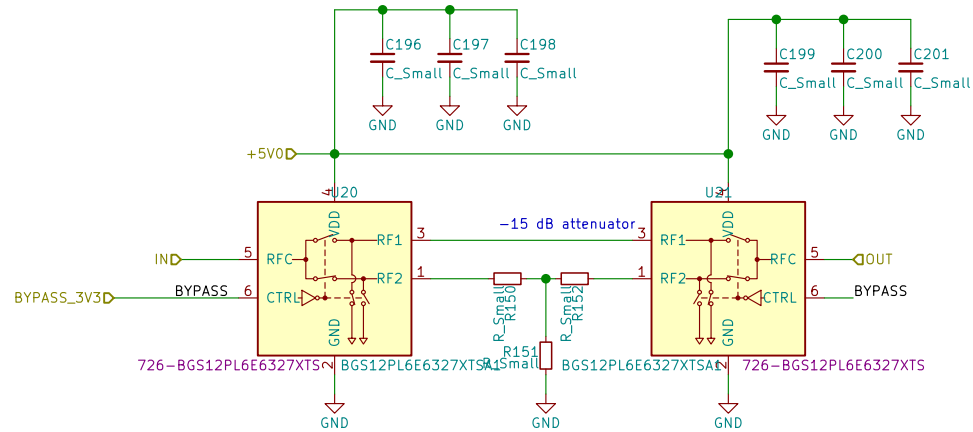
NOTE: RF1 is the connected when ctrl=0,
the disconnected path is shorted

Sheet: /Receiver/LNA/LNA Attenuator 1/
File: switchable-attenuator.sch

Title:

Size: A4 Date:
KiCad E.D.A. kicad 5.1.4-e60b26684ubuntu19.04.1

Rev:
Id: 17/19



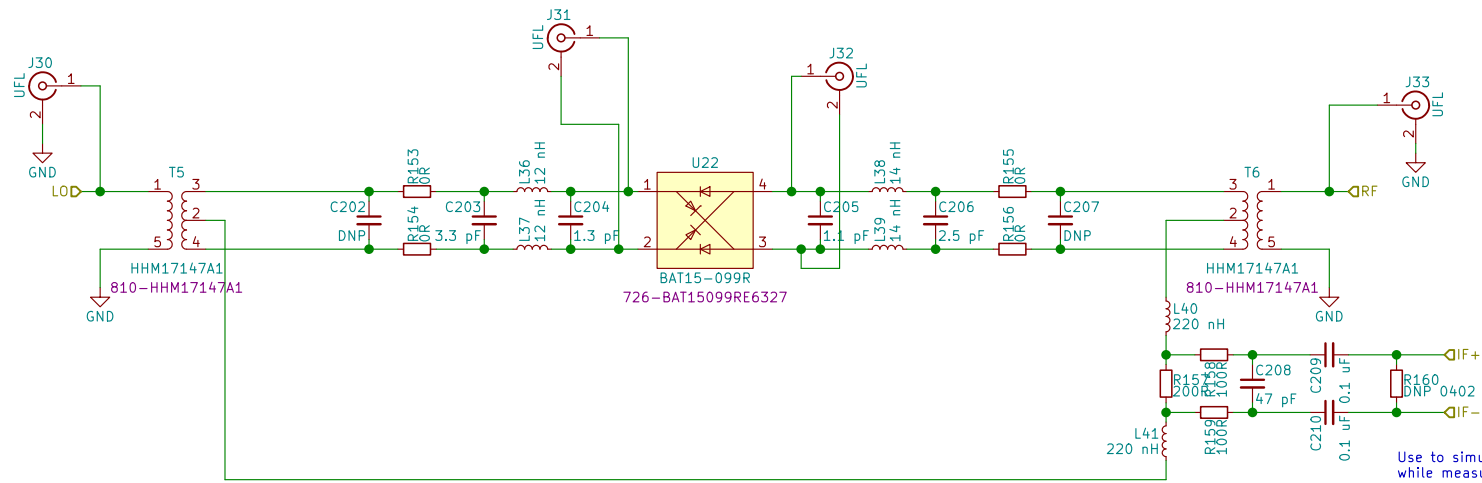
NOTE: RF1 is the connected when ctrl=0,
the disconnected path is shorted

Sheet: /Receiver/LNA/LNA Attenuator 2/
File: switchable-attenuator.sch

Title:

Size: A4 Date:
KiCad E.D.A. kicad 5.1.4-e60b26684ubuntu19.04.1

Rev:
Id: 18/19



Sheet: /Receiver/RxMixer1/
File: diode_mixer.sch

Title:

Size: A4
KiCad E.D.A. kicad 5.1.4-e60b26684ubuntu19.04.1

Date:

Rev:
Id: 19/19